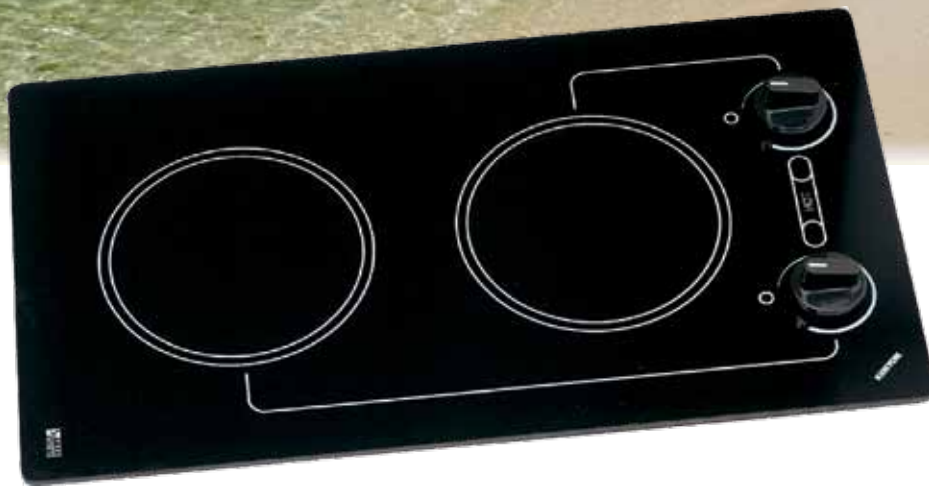


# caribbean



The smooth surface of the ceramic glass is a cook's delight, and a breeze to clean. The "caribbean" series culls the finest features found only in more expensive units.

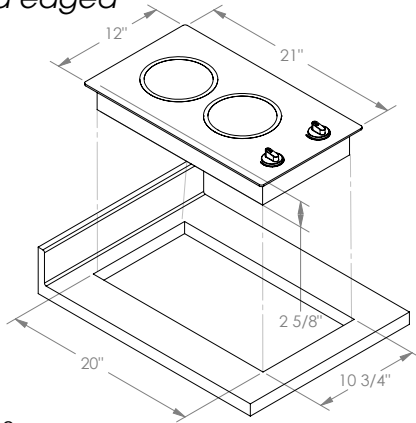


**KENYON**<sup>®</sup>  
*Custom*



# caribbean

Smooth surface, round edged  
ceramic glass

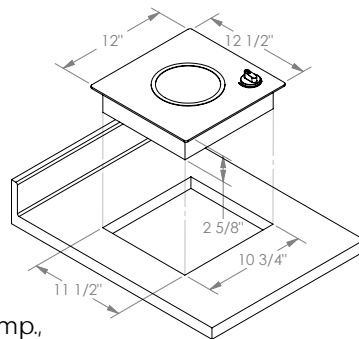


## Two Burner Units

- Model B41601** 120 volt - 20 amp.,  
2 - 6 1/2" (165mm) @ 1200 watts
- Model B41692** 208 Volt - 12 amp.,  
2 - 6 1/2" (165mm) @ 1200 watts
- Model B41602** 240 volt - 10 amp.,  
2 - 6 1/2" (165mm) @ 1200 watts

Overall Dimensions: 21" x 12" x 2 5/8"  
533.4mm x 304.8mm x 66.7mm

Cutout Dimensions: 20" x 10 3/4" with 1/4" radius  
508mm x 273mm with 6.4 radius



## Single Burner Units

- Model B41605** 120 volt - 10 amp.,  
1 - 6 1/2" (165mm) @ 1200 watts
- Model B41696** 208 Volt - 6 amp.,  
1 - 6 1/2" (165mm) @ 1200 watts
- Model B41606** 240 volt - 5 amp.,  
1 - 6 1/2" (165mm) @ 1200 watts

Overall Dimensions: 12 1/2" x 12" x 2 5/8"  
317.5mm x 304.8mm x 66.7mm

Cutout Dimensions: 11 1/2" x 10 3/4" with 1/4" radius  
292.1mm x 273mm with 6.4 radius

For uncomplicated quality  
amid the sea of selections...  
it's simply the Kenyon  
Caribbean series  
of ceramic glass cook tops!

With clean graphics and effortless operation, the Caribbean elegantly combines value with virtue. Smooth clear black glass, durable, and easy to clean, with safety features uniquely Kenyon. Both one and two burner models available in 120, 208, or 240 volts, with push-to-turn controls, infinite heat control and quick-to-heat radiant ribbon elements. Safety features include heat limiting cooking surface protectors, an *On* indicator light for each burner, and a *Hot* burner indicator light. And as all Kenyon Custom products, backed by uncompromising quality and an exclusive 3-year product replacement warranty.

**KENYON**<sup>®</sup>  
*Custom*

Kenyon International, Inc.  
P.O. Box 925, Clinton, CT 06413  
Tel: 860.664.4906  
Fax: 860.664.4907  
[www.kenyonappliances.com](http://www.kenyonappliances.com)



KENYON Custom Logo, Lite-Touch, KISS, Electris KISS, Express and all related materials are trademarks of Kenyon International, Inc. ©2010 Kenyon International, Inc. All Rights Reserved. Specifications subject to change without notice. UL is a registered trademark of Underwriters Laboratory Inc. Printed in U.S.A. 4-2010